

MICRO SWITCH

FREEMONT ILLINOIS, U.S.A.
A DIVISION OF HONEYWELL
FED. MFG. CODE 91929

SWITCH-BASIC

CATALOG LISTING

YA-1R2416-A42

ADF2800

CATALOG LISTING

YA-1R2416-A42

PAGE 1 OF 1

REPLACES X71572-YA

RELEASE NO. PR-11226

12SEP07

PSR

CHECK

09JAN06

RJ

CHECK

09JAN06

25 MAY 82

C.E.B.

CHECK

19 MAY 82

CHECK

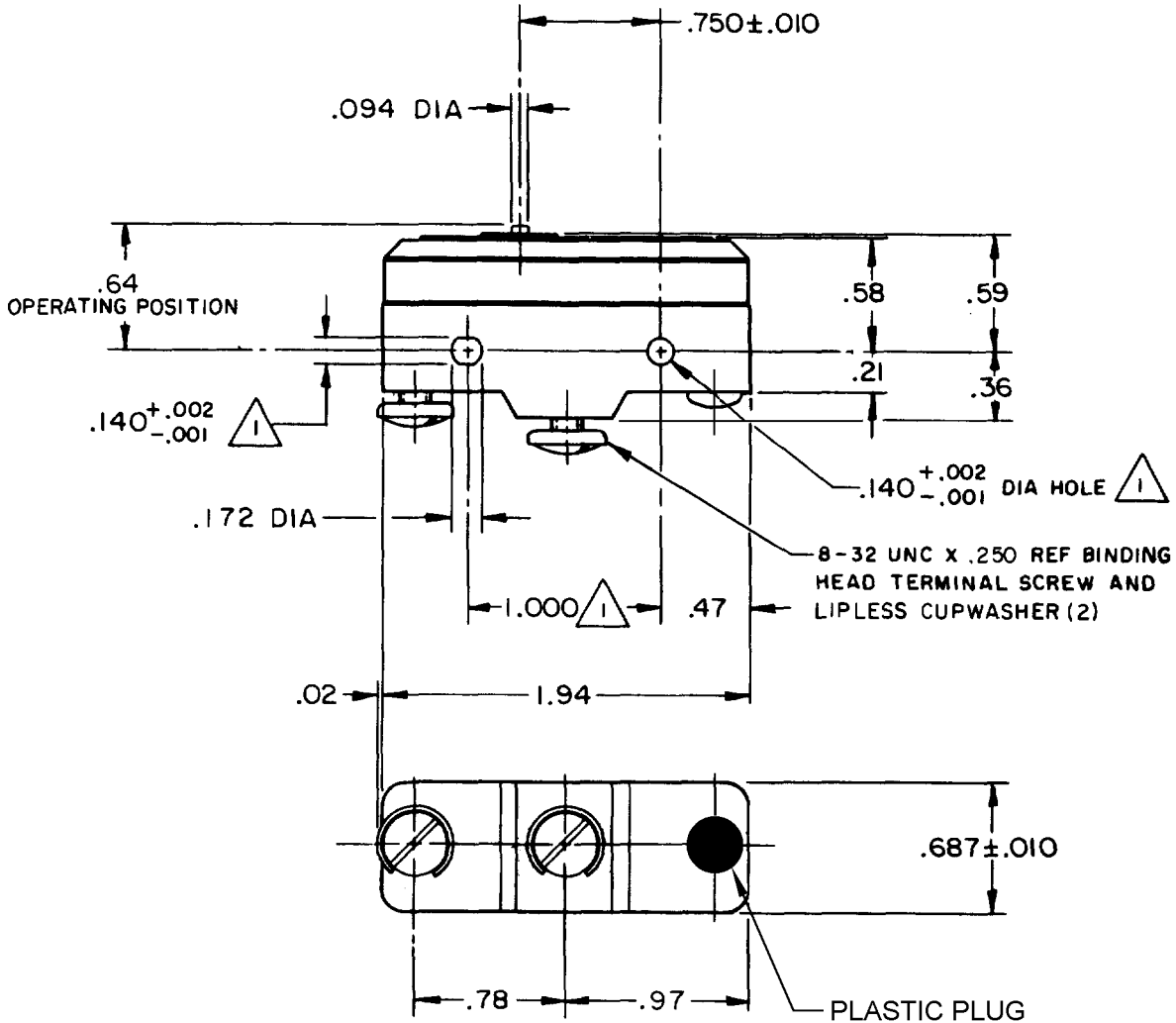
FO-52848-A

DRAWN

ISSUE
7

REVISIONS

A	CO51554	T S K	21 JULY 82
B	CO-77589	MAM	29 MAR 94
C	CO93346	DLT	28 AUG 98
D	0000566	CSL	17 JUN 03
E	0017742	TSG	09 JAN 06
F	0033746	JA	12 SEP 07

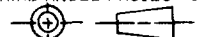


NOTES

- 1 MOUNTING HOLES WILL ACCEPT PINS OR SCREWS OF .139 MAX DIA ON 1.000 ± .002 CENTERS
- 2 - SWITCH TO WITHSTAND TEMPERATURE OF 250° F

THIS DRAWING COVERS A PROPRIETARY ITEM AND IS THE PROPERTY OF MICRO SWITCH, A DIVISION OF HONEYWELL. THIS DRAWING IS NOT TO BE COPIED OR USED WITHOUT THE APPROVAL OF MICRO SWITCH.

THIRD ANGLE PROJECTION



CHARACTERISTICS

OPERATING FORCE ----- 13-19 OZ
DIFFERENTIAL FORCE ----- 1 1/2-6 OZ
RELEASE FORCE ----- 10 OZ MIN
DIFFERENTIAL TRAVEL ----- .004-.006
OVERTRAVEL ----- .010 MIN

ELECTRICAL DATA

CONTACT ARRANGEMENT
S P N O

L33 20A-125, 250 OR 480 VAC
1HP-125 VAC; 2HP-250 VAC
0.3A-125 VDC; 0.15A-250 VDC

L288
L308
L310
L315



SCALE FULL

DO NOT SCALE PRINT

TOLERANCES
APPLY TO DESIGN UNITS. CONVERSIONS ARE ONLY FOR REFERENCE. UNLESS NOTED, TOLERANCES ARE ±

	DM.	TOL.	DM.	TOL.
	mm	mm/in	in	mm/in
NO PLACES	X	1/64	X	0.01/03
ONE PLACE	X,X	0.4/018	X,X	0.38/015
TWO PLACES	X,X,X	0.16/008	X,X,X	0.13/005
THREE PLACES	X,X,X,X		X,X,X,X	
ANGLES				

DESIGN UNITS SI METRIC US CUSTOMARY

WEIGHT .063 LB

RASTER

FO-52848-A